



D-304921

English

# SR-740 PG2

## Fully Wireless PowerG Outdoor Siren



# Visonic

## Installation Instructions

### 1. INTRODUCTION

The SR-740 PG2 is a fully wireless outdoor siren, designed for installation in areas in which wiring action is difficult or impossible. The siren is compatible with PowerG control panels.

#### Features

- **Siren and strobe light activation:** When an identified event message is received from the compatible PowerG alarm system, the siren activates its sounder & strobe light.

*Notes: The sounder is activated for a predefined "Bell Time" (refer to the control panel Installer Guide), according to local authorities requirements, or until the system is disarmed, whichever occurs first.*

*The strobe light operates as described in the PowerG Installer Guide.*

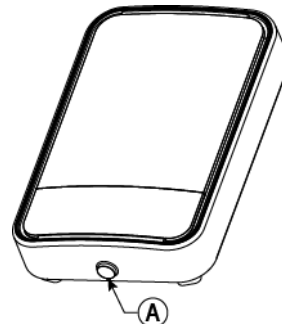
- **Tamper indication:** In case of tamper while the system is armed, the siren transmits the message to the alarm system and then the alarm system determines whether the siren should be activated or not. If the siren does not receive an acknowledge message from the alarm system, the siren will function independently.
- **Low battery voltage alert:** When the battery voltage is low, a low battery message is sent to the alarm system. After the low voltage message delivery, at least 2 siren alarms are possible before the siren is totally inactive.
- **Power Supply:** Non-rechargeable battery.
- **Sound Types:** Burglar (between 1400Hz - 3200Hz), fire, gas(CO) and flood.
- **Entry/Exit:** Exit delay beeps sound once the user has armed the system. Entry delay beeps sound once the user has entered the protected area. (Entry/exit beeps can be enabled / disabled from the control panel Installer menu.)
- **Squawk indications:** Squawk (beep) sounds can be used to indicate alarm system arming (1 squawk) and disarming (2 squawks) by a keyfob (squawk can be enabled from the control panel User menu).

- **Strobe Light Color:** The siren can be purchased with red, blue, amber or transparent lens, according to the desired strobe light color.
- **Siren activity LED:** A flashing LED (optional, at the bottom of the siren front panel) indicates siren activity (can be disabled by the control panel)
- **Double Tamper protection:** When the siren front panel is removed or when the siren is removed from the wall, tamper alarm is sent to the alarm system.

**IMPORTANT!** The SR-740 PG2 siren must be installed on the wall in a vertical position with the screw pointing to the floor only, as illustrated in Figure 1b. The importance of correct positioning of the SR-740 PG2 is to enable the siren to function as a waterproof device.

#### 2-way full supervision

The siren is fully supervised, 2-way communication device. It includes a receiver, to receive event messages from the alarm system, and a transmitter, to periodically transmit its status signal to the alarm system.



A. SR-740 PG2 can be recognized outwardly by its red screw cap.



B. Wall

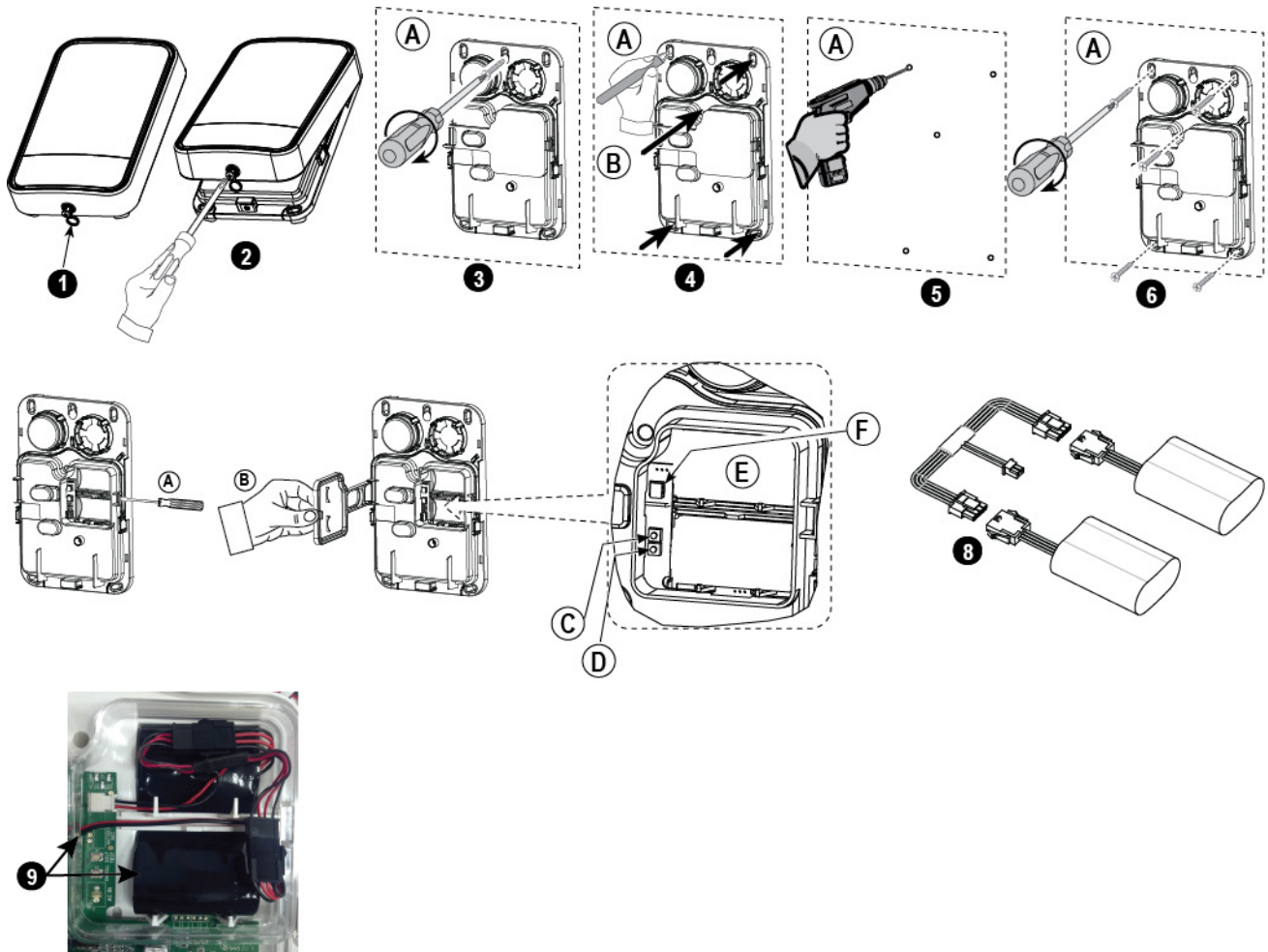
Fig. 1a - External View

Fig. 1b - Mounting Position

#### Self-test feature

Upon pressing the self test switch, siren functional check is performed - low level sounds and flash light indicate that the siren is serviceable.

## 2. INSTALLATION



1. Open plastic cover screw.
2. Using Philips screwdriver, remove screw and remove cover.
3. Optional step: Hang back unit with a screw on mounting surface to make the next step (drilling marking) easier.
4. Mark for drilling.
5. Drill 5 holes.
6. Fasten with 5 screws.
7. Release catch (A) and open battery cover (B).
8. Connect the two connectors in their respective sockets.
9. Insert the battery and connect the battery connector.

- A. Mounting surface.  
 B. For tamper.  
 C. Self-Test button.  
 D. Enroll button.  
 E. Primary battery.  
 F. Battery connector.

**CAUTION!** Risk of explosion if battery is replaced by an incorrect type. Dispose of used battery according to manufacturer's instructions.

Figure 2: Installation

## 3. ENROLLMENT

Refer to the PowerMaster panel's Installer Guide and follow the procedure under the "02:ZONES/DEVICES" option of the Installer Menu. A general description of the procedure is provided in the following flow chart.

Step 1	Step 2	Step 3	Step 4	Step 5
Enter the Installer menu and select "02:ZONES/DEVICES"	Select "ADD NEW DEVICE" See Note 1	Enroll the device or enter the device ID	Select the desired siren number for the new siren	Configure Location, Zone Type & Chime Parameters
02:ZONES/DEVICES	⇒ ADD NEW DEVICES	⇒ ENROLL NOW or ENR ID:XXX-XXXX	⇒ SR1:Siren Outdoor ID No. 410-XXXX	⇒ SR1.LOCATION SR1.ZONE TYPE SR1.SET CHIME
MODIFY DEVICES				

Step 6	Step 7	Step 8	Notes:
Enter PARTITIONS. See Note 2	Assign partitions to the detector by pressing the <b>1</b> , <b>2</b> and <b>3</b> buttons on the panel	Select the "DEV SETTINGS" option and refer to the section below to configure the siren parameters.	<p><b>1.</b> If the siren is already enrolled, you can configure the siren parameters and assign partitions via the "Modify Devices" option – see Step 2.</p> <p><b>2.</b> PARTITIONS will appear only if PARTITIONING was previously enabled in a panel that supports the Partitioning feature (for further details, see "Partitioning" in the PowerMaster Installer Guide).</p> <p><b>3.</b> When there is an alarm, the siren will sound regardless of partition assignment.</p>
SR1:PARTITIONS	⇒ SR1:P1 P2 P3	⇒ SR1: DEV SETTINGS ⇒	
⇒ means scroll ▶ and select <b>OK</b>			

## 4. CONFIGURING THE SIREN PARAMETERS

Enter the **DEVICE SETTINGS** menu and follow the configuration instructions for the SR-740 PG2 outdoor siren as described in the following table.

Option	Configuration Instructions
<b>STROBE ALARM</b>	Here you determine whether or not to activate the strobe alarm, and if activated, whether to activate the strobe until the alarm system is disarmed, or, for the programmed period of time (see "Siren Configuration" section in the control panel Installer Guide). Optional settings: <b>Timer limited</b> (default), <b>Disabled</b> and <b>Until Disarmed</b>
<b>EXIT-ENTRY Beeps</b>	Here you determine whether or not to activate the exit – entry beeps, and if enabled, whether to activate in HOME or AWAY mode. Optional settings: <b>Disabled</b> (default), <b>Disabled &amp; Home</b> and <b>Enabled</b> .
<b>SQUAWK</b>	Here you determine whether or not to enable the squawk, and if enabled, whether to activate the sounder only, or, the sounder and strobe simultaneously. Optional settings: <b>Disabled</b> (default), <b>Sounder only</b> , <b>Strobe only</b> and <b>Sounder+strobe</b> .
<b>SOUNDER VOLUME</b>	Here you determine the volume level of the sounder. Optional settings: <b>Volume HIGH</b> (default), <b>Volume LOW</b> and <b>Volume MID</b> .
<b>ACTIVITY LED</b>	Here you determine whether or not the LED will be activated to indicate that the siren is operating. Optional settings: <b>Disabled</b> (default) and <b>Enabled</b> .
<b>AUTO TAMPER ALARM</b>	Here you determine whether or not the siren alone will sound a tamper alarm when there is no communication between the siren and the control panel. Optional settings: <b>Disabled</b> (default) and <b>Enabled</b> .

## 5. LOCAL DIAGNOSTICS TEST

Before testing, remove the plastic cover and then open the battery cover (see Fig. 2).

- A.** Press the self-test button once and release it; the following procedure should occur in turn:  
The red LED will switch ON and then OFF, the green LED will switch ON and then OFF, the strobe light will switch ON and then OFF and the piezo siren will sound to indicate that the siren is now fully operational.
- B.** After 2 seconds the LED blinks 3 times.  
The following table indicates received signal strength indication.

LED response	Reception
Green LED blinks	Strong
Orange LED blinks	Good
Red LED blinks	Poor
No blinks	No communication

**IMPORTANT!** Reliable reception must be assured. Therefore, "poor" signal strength is not acceptable. If you receive a "poor" signal from the device, re-locate it and re-test until a "good" or "strong" signal strength is received.

**Note:** For detailed Diagnostics Test instructions refer to the control panel Installer Guide.

## 6. COMPLIANCE WITH STANDARDS

### Compliance with Standards



**Europe:** EN50131-1 Grade 2 Class 4, EN 50131-4, EN 301489, EN 50130-4, EN 50130-5, EN 300 220, EN 60950-1, EN 60950-22 Environmental IP55.

The SR-740 PG2 is compatible with the RTTE requirements - Directive 1999/5/EC of the European Parliament and of the Council of 9 March 1999 and EN50131-1 Grade 2 Class 4.

EN 50131-4, EN 50131-5-3, EN 50130-4, and EN 50130-5.

**UK:** This product is suitable for use in systems installed to conform to PD6662:2010 at Grade 2 and environmental class 4. DD243 and BS8243

*The Power G peripheral devices have two-way communication functionality, providing additional benefits as described in the technical brochure. This functionality has not been tested to comply with the respective technical requirements and should therefore be considered outside the scope of the product's certification.*

### EN 50131-1 Security Grade

According to EN 50131-1:2006 and A1:2009, this equipment can be applied in installed systems up to and including Security Grade 2.

### EN 50131-1 Environmental Class

Class 4

**WARNING!** Changes or modifications to this unit not expressly approved by the party responsible for compliance could void the user's authority to operate the equipment.

Le présent appareil est conforme aux CNR d'Industrie Canada applicables aux appareils radio RSS-210. L'exploitation est autorisée aux deux conditions suivantes : (1) l'appareil ne doit pas produire de brouillage, et (2) l'utilisateur de l'appareil doit accepter tout brouillage radioélectrique subi, même si le brouillage est susceptible d'en compromettre le fonctionnement.

Le dispositif doit être placé à une distance d'au moins 20 cm à partir de toutes les personnes au cours de son fonctionnement normal. Les antennes utilisées pour ce produit ne doivent pas être situés ou exploités conjointement avec une autre antenne ou transmetteur.



### W.E.E.E. Product Recycling Declaration

For information regarding the recycling of this product you must contact the company from which you originally purchased it. If you are discarding this product and not returning it for repair then you must ensure that it is returned as identified by your supplier. This product is not to be thrown away with everyday waste. Directive 2002/96/EC Waste Electrical and Electronic Equipment.

## 7. SPECIFICATIONS

**Frequency Band (MHz):** Europe: 433, 868

**Modulation:** GFSK

**Antenna:** Built-in antenna

**Communication Protocol:** PowerG

**Current consumption:**

Quiescent mode: 50µA

Alarm sound operated: 430mA

**Siren Type:**

At least 85 dBA at 10 ft (3 m)

Sound Pressure Level @ 1m, 1.4-3.2 kHz, sweep frequency 7 Hz.

Additional piezo is optional.

**Power Supply:** Type C

**Battery Type:** Four 3.6V/3.5A/H Lithium independent cells (EVE ER18505M) assembled in two plastic wrappings and connected to the cable adaptor (see Figure 2). Visonic assembly catalog no. 103-304742.

**Note:** Use only the above battery.

**Note:** The strobe flashes 5 times and the red LED lights continuously during first battery installation.

**Battery Life Expectancy:** 8 years (for typical use)

**Low Battery Threshold:** 2 V +300 mV negative slope OR 1.2 V

**Strobe Light:** Pulsed @ 1 sec.

**Operating Temperature:** -33°C to 70°C (-27.4°F to 158°F), RH humidity 75%.

**Dimensions (LxWxD):** 295x186x63mm (11-5/8 x 7-5/16 x 2-1/2 in)

**Weight (including battery):** 970g (34 oz)

**Color:** White (with red, blue, amber or transparent lens)

### WARRANTY

Visonic Limited (the "Manufacturer") warrants this product only (the "Product") to the original purchaser only (the "Purchaser") against defective workmanship and materials under normal use of the Product for a period of twelve (12) months from the date of shipment by the Manufacturer.

This Warranty is absolutely conditional upon the Product having been properly installed, maintained and operated under conditions of normal use in accordance with the Manufacturers recommended installation and operation instructions. Products which have become defective for any other reason, according to the Manufacturers discretion, such as improper installation, failure to follow recommended installation and operational instructions, neglect, willful damage, misuse or vandalism, accidental damage, alteration or tampering, or repair by anyone other than the manufacturer, are not covered by this Warranty.

The Manufacturer does not represent that this Product may not be compromised and/or circumvented or that the Product will prevent any death and/or personal injury and/or damage to property resulting from burglary, robbery, fire or otherwise, or that the Product will in all cases provide adequate warning or protection. The Product, properly installed and maintained, only reduces the risk of such events without warning and it is not a guarantee or insurance that such events will not occur.

**THIS WARRANTY IS EXCLUSIVE AND EXPRESSLY IN LIEU OF ALL OTHER WARRANTIES, OBLIGATIONS OR LIABILITIES, WHETHER WRITTEN, ORAL, EXPRESS OR IMPLIED, INCLUDING ANY WARRANTY OF MERCHANTABILITY OR FITNESS FOR A PARTICULAR PURPOSE, OR OTHERWISE. IN NO CASE SHALL THE MANUFACTURER BE LIABLE TO ANYONE FOR ANY CONSEQUENTIAL OR INCIDENTAL DAMAGES FOR BREACH OF THIS WARRANTY OR ANY OTHER WARRANTIES WHATSOEVER, AS AFORESAID.**

**THE MANUFACTURER SHALL IN NO EVENT BE LIABLE FOR ANY SPECIAL, INDIRECT, INCIDENTAL, CONSEQUENTIAL OR PUNITIVE DAMAGES OR FOR LOSS, DAMAGE, OR EXPENSE, INCLUDING LOSS OF USE, PROFITS, REVENUE, OR GOODWILL, DIRECTLY OR INDIRECTLY ARISING FROM PURCHASER'S USE OR INABILITY TO USE THE PRODUCT, OR FOR LOSS OR DESTRUCTION OF OTHER PROPERTY OR FROM ANY OTHER CAUSE, EVEN IF MANUFACTURER HAS BEEN ADVISED OF THE POSSIBILITY OF SUCH DAMAGE.**

**THE MANUFACTURER SHALL HAVE NO LIABILITY FOR ANY DEATH, PERSONAL AND/OR BODILY INJURY AND/OR DAMAGE TO PROPERTY OR OTHER LOSS WHETHER DIRECT, INDIRECT, INCIDENTAL, CONSEQUENTIAL OR OTHERWISE, BASED ON A CLAIM THAT THE PRODUCT FAILED TO FUNCTION.**

However, if the Manufacturer is held liable, whether directly or indirectly, for any loss or damage arising under this limited warranty, **THE MANUFACTURER'S MAXIMUM LIABILITY (IF ANY) SHALL NOT IN ANY CASE EXCEED THE PURCHASE PRICE OF THE PRODUCT**, which shall be fixed as liquidated damages and not as a penalty, and shall be the complete and exclusive remedy against the Manufacturer.

When accepting the delivery of the Product, the Purchaser agrees to the said conditions of sale and warranty and he recognizes having been informed of.

Some jurisdictions do not allow the exclusion or limitation of incidental or consequential damages, so these limitations may not apply under certain circumstances.

The Manufacturer shall be under no liability whatsoever arising out of the corruption and/or malfunctioning of any telecommunication or electronic equipment or any programs.

The Manufacturer's obligations under this Warranty are limited solely to repair and/or replace at the Manufacturer's discretion any Product or part thereof that may prove defective. Any repair and/or replacement shall not extend the original Warranty period. The Manufacturer shall not be responsible for dismantling and/or reinstallation costs. To exercise this Warranty the Product must be returned to the Manufacturer freight pre-paid and insured. All freight and insurance costs are the responsibility of the Purchaser and are not included in this Warranty.

This warranty shall not be modified, varied or extended, and the Manufacturer does not authorize any person to act on its behalf in the modification, variation or extension of this warranty. This warranty shall apply to the Product only. All products, accessories or attachments of others used in conjunction with the Product, including batteries, shall be covered solely by their own warranty, if any. The Manufacturer shall not be liable for any damage or loss whatsoever, whether directly, indirectly, incidentally, consequentially or otherwise, caused by the malfunction of the Product due to products, accessories, or attachments of others, including batteries, used in conjunction with the Products. This Warranty is exclusive to the original Purchaser and is not assignable.

This Warranty is in addition to and does not affect your legal rights. Any provision in this warranty which is contrary to the Law in the state or country where the Product is supplied shall not apply.

**Warning:** The user must follow the Manufacturer's installation and operational instructions including testing the Product and its whole system at least once a week and to take all necessary precautions for his/her safety and the protection of his/her property.

1/08



EMAIL: [info@visonic.com](mailto:info@visonic.com)

INTERNET: [www.visonic.com](http://www.visonic.com)

©VISONIC LTD. 2014 D-304921 SR-740 PG2 (REV. 2, 10/14)



D-304921