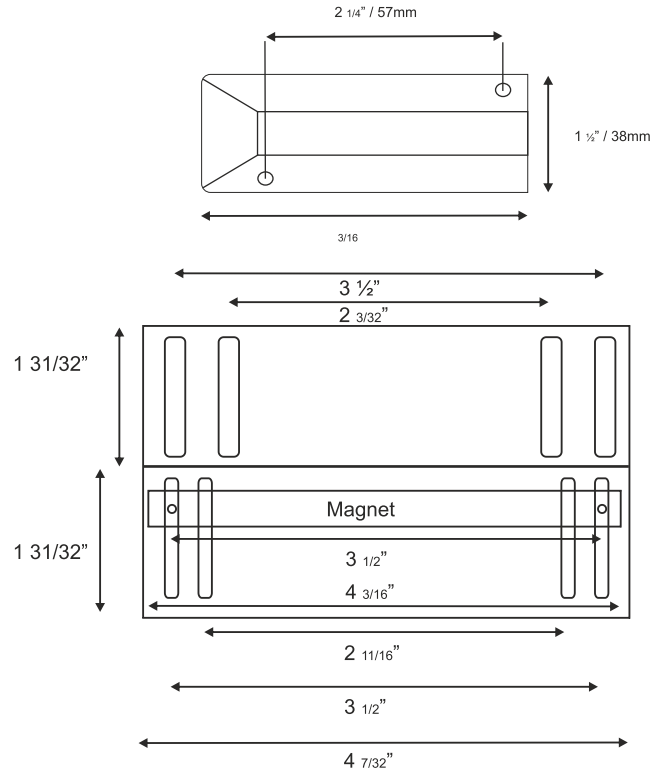
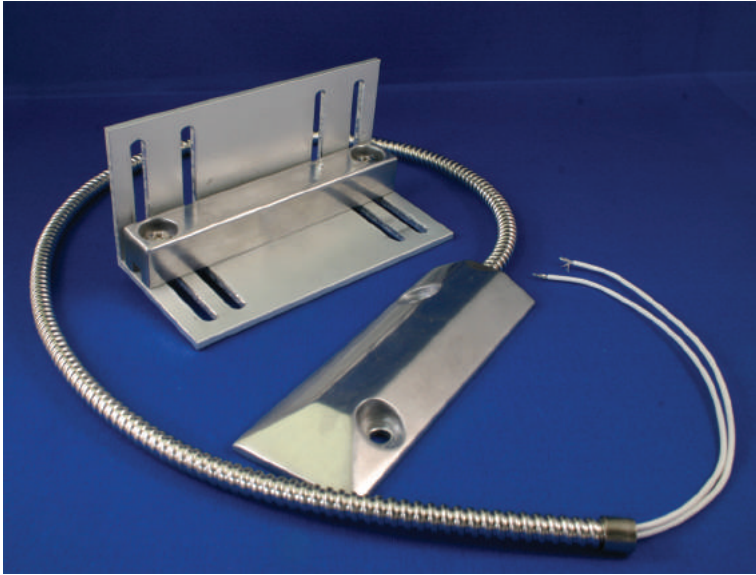




# PS-2023/2022 Industrial Overhead Door Contact



## Specifications:

Connection: 27" 22 guage wire enclosed Armoured Cable

Output: 2023 - Form A / Normally Closed w / Magnet Present  
2022 - Form C / Dual Output (Form A / B - N/C \ N/O)

Contact Rating: 2023 - 28VDC - 500mA - 10W  
2022 - 28VDC - 500mA - 3W

Operating Temperature: 32° F - 120° F (0° C - 49° C)

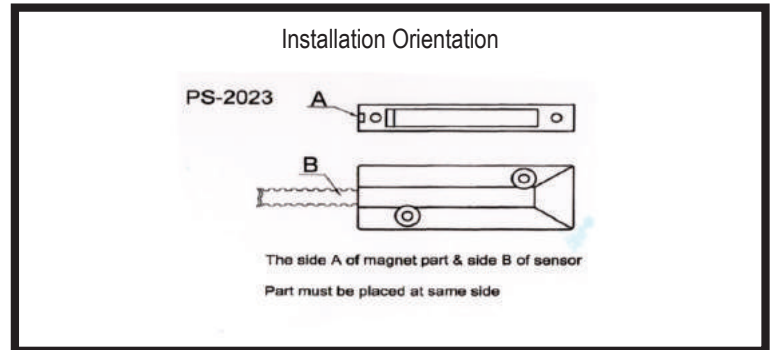
Gap: 3 in (76.2mm) Max

Reed Switch Hermetically Sealed in Heavy Duty Shock Resistant Aluminum "Flat Plate" Housing

Rhodium Over Gold Reed Switch

High Grade Magnet Enclosed in Aluminum Housing, Attached to Custom Fit L-Bracket

PS-2023 UL Listed File # AMQV.BP 3859



4700 Aircenter Circle  
Reno, NV 89502 USA  
Phone: 775-827-8000  
Fax: 775-827-8044  
E-mail: info@aleph-usa.com